



## Point of Sale (PoS) Turntables

Using Movement acts as the ideal mechanism to increase sales. Point of Purchase Advertising International (POPAl) research suggests by up to 30% over a static display. Whether you are displaying the latest brands or high value goods, an attractive solution is using battery-operated movement. A moving display adds impact, drawing attention and prominence to the display area.

From miniature models to light boxes with internal lighting we have a battery powered Point of Sale (PoS) Turntable to suit every application up to a maximum display load of 4kg.



D-004-BT4GL

## Battery Powered

Our battery-powered Point of Sale (PoS) Turntables provide an interesting table centre piece for formal dinners from flower arrangements to displaying the sponsors latest product or even the wedding cake at the top table.

The battery operated turntables are ideal for use in window and counter displays, their small sleek design demands the attention of prospective customers.

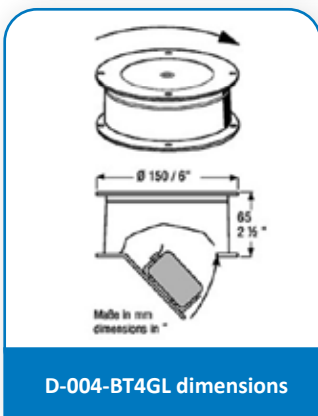
As well as being used for attention grabbing shop displays our battery powered turntables are often used for smaller photography and video projects, offering an effective way of taking 360-degree photos/videos of products and objects.

These units are available with an operational switch (D-004-BT4GL) or without a switch (D-004-BT4GL).

 **Rotating direction:** Clockwise or Anti-clockwise.

 **Speed of rotation:** 1.7rpm.

 **Power supply:** D type battery.



D-004-BT4GL dimensions



### Battery Life

Battery life varies depending on the battery type, battery quality and the turntable load, etc.



D-004-MT05

## Mains Powered




Our clients tell us that using movement in retail and exhibition environments helps them to sell more products and increase sales.

From sturdy base mounts to sleek window and counter displays our mains and battery powered turntables are the perfect way to make any display or exhibition area an attention demanding scene.



D-004-MT10

With our slip ring models allowing electrical power to be brought to the rotating surface, without the trouble of tangled wiring, the uses for this range are endless. Our range includes a variety of sizes, speeds and weight capacities.

-  **Rotating direction:** Clockwise
-  **Speed of rotation:** 2 - 2.5rpm (depending on model).
-  **Power supply:** Mains: UK 3-pin plug (alternatives available).

## Specifications

Product Code	Product Description	Speed (RPM)	Unit Dimensions			Max Display Properties			Battery Type
			Diameter (mm)	Height (mm)	Weight (kg)	Diameter (mm)	Height (mm)	Capacity* (kg)	
D-004-BT4GL	Large Battery Display Turntable - with switch	1.7	150	63	0.120	200	200	4	D
D-004-BT4L	Large Battery Display Turntable - without switch	1.7	150	58	0.120	200	200	4	
D-004-MT05	Mains Powered Plastic Display Turntable	2	150	63	0.500	200	200	5.00	N/A
D-004-MT10	Mains Powered Metal Display Turntable	2.5	125	72	1.150	300	300	10.00	N/A
D-004-MT05	Mains Powered Metal Display Turntable - With Slip Rings	2.5	125	72	1.150	300	300	10.00	N/A

**PLEASE NOTE:** THESE UNITS ARE DESIGNED AND INTENDED FOR **INTERNAL** USE ONLY.

\* Maximum evenly distributed load

For more information, contact us today, and our sales and technical teams will be more than happy to help you.

**Buy a wide range of our products online at [www.movetechukshop.co.uk](http://www.movetechukshop.co.uk)**

**BUY**